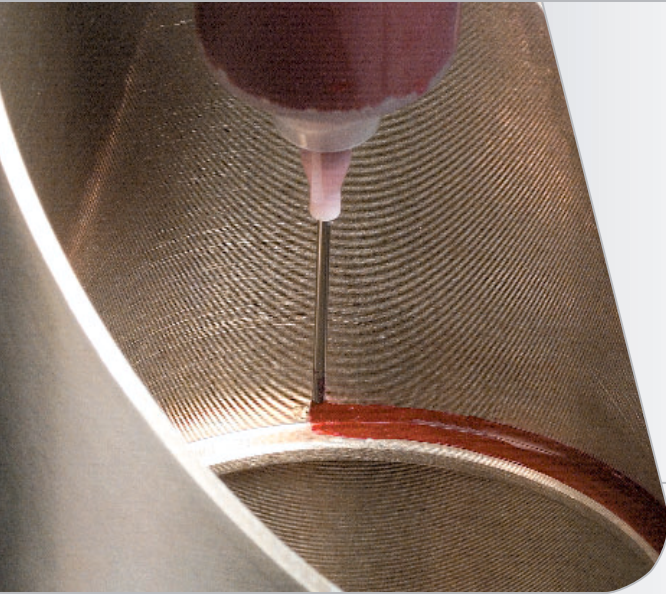




WHERE
PRECISION
DRIVES
PRODUCTION



SYSTEM SPECIFICATIONS

- Work Area:**
400 mm x 400 mm x 100 mm
(15.75 in x 15.75 in x 3.94 in)
- Repeatability:**
0.04 mm
(0.0016 in)
- Resolution:**
0.02 mm
(0.0008 in)
- Motor:**
Stepping
- Drive Mechanism:**
Ball Screw Drive
- Work Payload:**
11 kg
(24.2 lbs.)
- Tool Payload:**
6 kg
(13.2 lbs.)
- Inputs / Outputs:**
52
- Software:**
PathMaster® Windows®
- Power:**
110 V / 60 Hz, 220 V / 50 Hz
- Air:**
80 PSI dry unlubricated air
- Certification:**
CE certified

PVA250 BENCHTOP DISPENSING SYSTEM

The PVA250 is a programmable three-axis robot that is ideal for any dot or bead dispensing application. The PVA250 employs robust ball screw slides driven by stepping motors. The PVA250 features 52 overall I/O points. This includes 12 opto coupled points, of which 4 are air solenoids. The PVA250 also features 6 analog inputs, 1 analog output, and 1 thermocouple input. Any PVA dispensing valve or syringe applicator can be integrated with the PVA250. An optional top frame is available to fully enclose the work area if required.

The PVA250 has many integrated features including:

- ▲ A compact benchtop design that favors portability
- ▲ Large 400 mm x 400 mm x 100 mm work area
- ▲ PathMaster® Windows®-based programming software
- ▲ Coordinated motion in all three-axes simultaneously
- ▲ Base mount of the x-axis permitting motion of the work area
- ▲ Front panel LCD screen with function keys

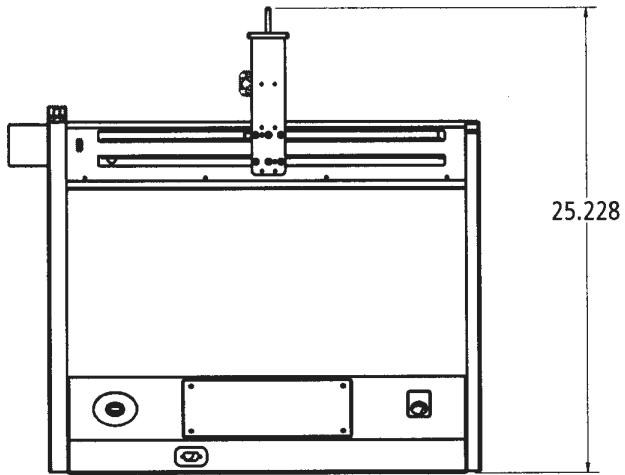
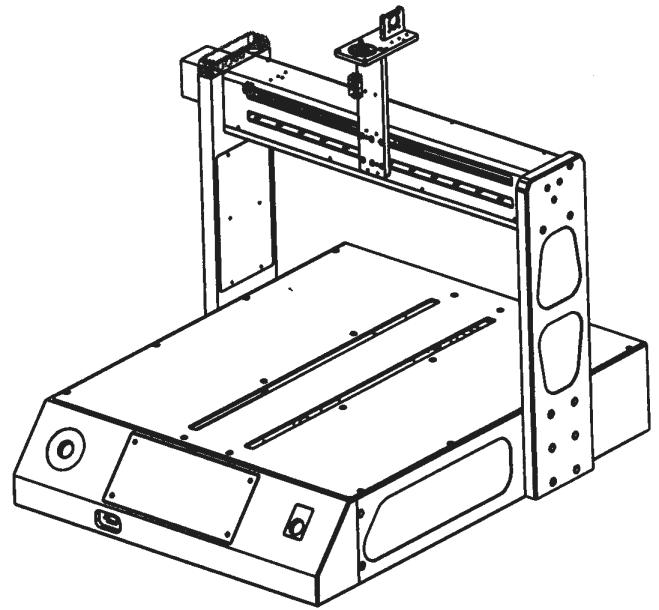
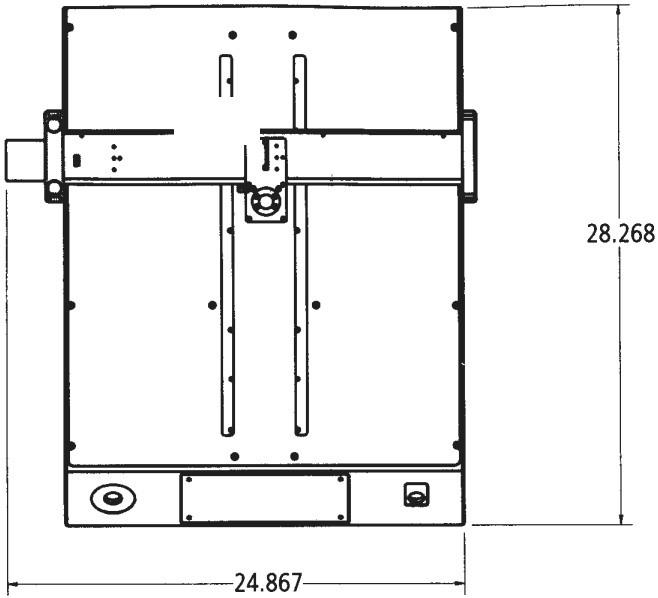
For more information on PVA's dispensing capabilities, please contact one of our sales representatives at (518) 371-2684.

PVA also offers the following products to improve your dispensing application:

PVA550	Benchtop selective coating/dispensing system
PVA3000	Automated dispensing system
PVA2000	Selective conformal coating system



15 Solar Drive
Halfmoon NY 12065
tel 518 371 2684
fx 518 371 2688
info@pva.net



Measurements shown in inches.

15 Solar Drive
Halfmoon NY 12065
tel 518 371 2684
fx 518 371 2688
info@pva.net