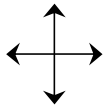


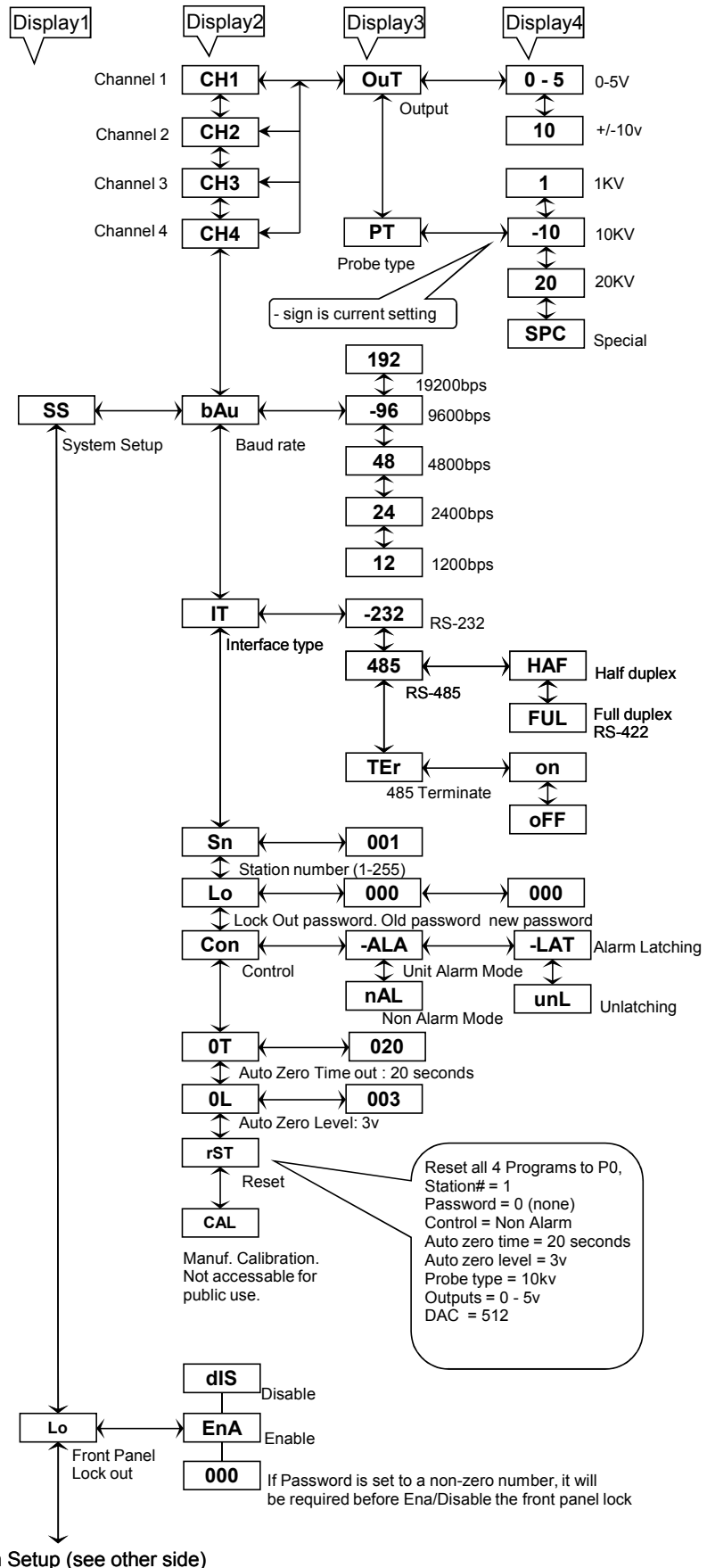
177A Front Panel Program Tree

Monroe Electronics Model 177A
 Front Panel Setup Programming
 Filename: 177AFrontPanelTree.xls
 Jan 2012 CLH

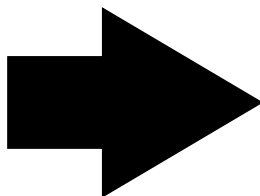


Up / Down / Left / Right
 arrow keys

To start programming, press the [Setup] key
 Press Up / Down / Left / Right key to move between the displays.
 Press [Enter] to accept changes or perform the function
 Press [Exit] to escape the changes or Exit setup

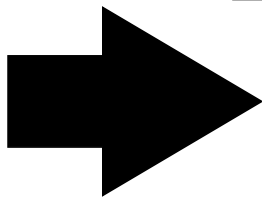


You are here
 after pressing
 the Setup key



To Program Setup (see other side)

You are here after pressing the Setup key



To System Setup (see other side)

